

CITY LINE

Together with a network of experts

To answer to each and every one of your individual needs efficiently, we've developed a full range of services.



Network

Benefiting from the latest equipment, 1700 fully trained technicians are ready to maintain your fleet across the largest network available with 550 service centres.

Contracts

As a fleet manager, you need to plan your business ahead. The Golden Cold contract and Silver Cold service packages help you ensure your equipment is always operating at maximum operational efficiency.

24h assistance

Wherever you are, our 24 hour assistance gives you first class service support with operators working in 17 languages. Call us and our closest partner will help you quickly get your fleet back on the road.

Spare Parts

The right parts at the right time. Rely on Carrier Genuine Performance Parts and you can be confident your fleet benefits from the best quality, availability, choice and cost efficiency.

		Supra 950 City**	Supra 950 MT City**	Supra 1150 City**	Supra 1150 MT City**	Supra 900 City Z	Supra 1000 City Z	Supra 1000 MT City Z	Vector 1550 City**	Vector 1850 City** Single & MT
Cooling Capacity Road (Watts)	0°C/+30°C	8 500	5 500	8 200	6 300	9 000	10 600	9 950	12 000	13 100
	-20°C/+30°C	5 200	4 650	5 000	5 000	5 050	6 600	5 900	6 700	8 000
Cooling Capacity Stand by (Watts)	0°C/+30°C	8 100	8 800	7 900	7 900	7 150	9 900	9 350	12 500	14 400
	-20°C/+30°C	5 900	5 000	5 700	5 700	4 150	6 250	5 700	7 000	8 700
Heating Capacity (Watts)		3 950	depending on evaporator	3 900	depending on evaporator	3 350	3 950	depending on evaporator	5 000	5 200
Airflow (m³/h)		2 700	depending on evaporator	3 300	depending on evaporator	2 550	2 700	depending on evaporator	4 600	4 600
Weight (Kg)		644	577*	645	590*	390	511	481*	765	687 Undermount box: 563
Dimensions (mm)		1995 x 940 x 699	1995 x 940 x 699	1995 x 940 x 699	1995 x 940 x 699	1823 x 856 x 644	1995 x 940 x 699	1995 x 940 x 699	2050 x 430 x 2347	2050 x 430 x 2347 Undermount box: 1500 x 540 x 800
Sound Pressure (dB(A))		60	60	60	60	61	63	63	60	60

* Condenser section only
** Low speed mode



Show your natural commitment



550 Carrier service stations in Europe, Russia, Middle East and Africa



Climate | Controls | Security
Carrier Transicold Europe S.C.S.
L'Européen Bâtiment D
4, rue Joseph Monier
F-92500 Rueil-Malmaison
Phone: +33 (0)1 41 42 28 00
Fax: +33 (0)1 41 42 28 28
www.carriertransicold.eu

VECTOR CITY range

SUPRA CITY range

VECTOR CITY 1550



Vector 1550 City, Piek certified unit for night deliveries

Generating a noise level below 60 decibels and benefiting from standard installation, the Vector 1550 City uses the same mounting points and front wall opening as a standard trailer unit. The installation process therefore remains the same as for other units of the Vector range, with no specific chassis work required.

- ▶ Standard mounting
- ▶ Low fuel consumption
- ▶ Piek compliant

Supra City, building on Vector experience for quiet deliveries

Certified Piek compliant, Supra City offers full flexibility for quiet deliveries and efficient supply chain. Available in single or multi-temperature version, Supra City benefits from the same cold chain performance and reliability features of the standard Supra range.

SUPRA CITY



- ▶ Skin reducing acoustic waves
- ▶ Acoustic absorb material
- ▶ Piek compliant

Growing environmental concerns in urban areas

Municipalities across Europe are addressing the issues of increasing traffic congestion, air pollution and noise disturbance in crowded residential areas. As regulation is getting tougher (Low Emission Zones, Piek certification), Carrier Transicold answers with the **CITY LINE** – a comprehensive and innovative line of best-of-breed, environmentally-friendly solutions specifically designed to help eco-responsible transport professionals meet the rigors of doing business in urban areas.

Piek Certification for products under 60 dB(A)



VECTOR CITY 1850

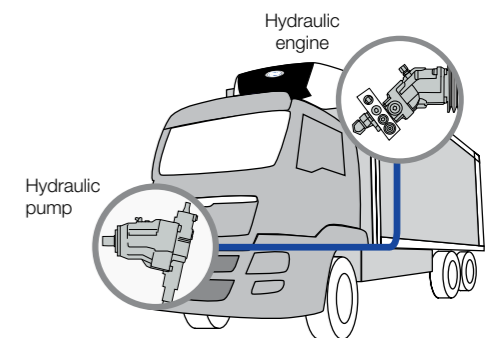
Vector 1850 City, featuring multi-temperature

Vector 1850 City has also been certified Piek compliant, Europe's most stringent noise abatement standard. Vector 1850 City offers the same benefits as Vector 1550 City for transporters, retailers, bodybuilders, drivers and the general population, enabling night deliveries and overcoming many of the challenges of distribution in urban or sensitive areas, notably in terms of efficient supply chain, noise, traffic congestion, road security, and pollution.

Supra City Z, Zero-engine refrigeration unit

Supra City Z meets the needs of transporters that distribute temperature-sensitive goods in urban or Low Emission Zones, and who are eager to reduce their environmental impact without compromising on cold chain protection. By removing the diesel engine, the Supra City Z unit derives its power from a hydraulic pump directly connected to the truck engine's Power Take Off (PTO) to drive a hydraulic engine placed inside the refrigeration unit.

SUPRA CITY Z



- ▶ Multi temperature
- ▶ High containment
- ▶ Piek compliant

- ▶ Emissions reduction
- ▶ Insulation equipment for low noise
- ▶ Constant cooling capacity

